



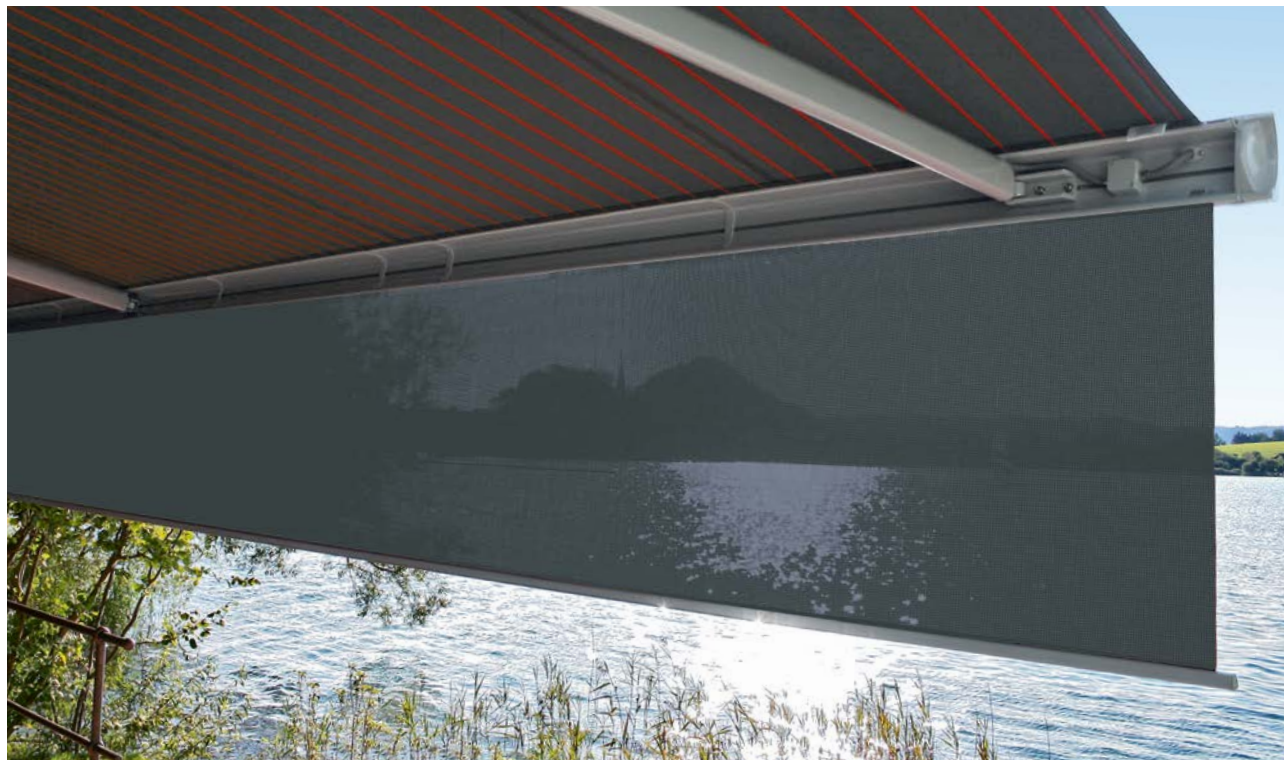
Designer Awnings for Patio and Balcony

## **markilux Optional Accessories**

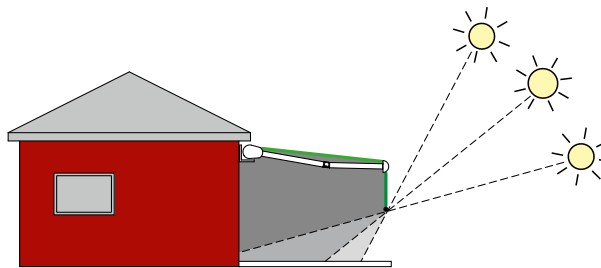
Accessories, Control Mechanisms, Heating and Lighting.

01 **markilux shadeplus**

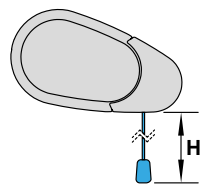
02 Create new living space in the open air



13 With a shadeplus – the awning within an “awning” – you can adjust  
 14 the shade to your liking, regardless of the position of the sun.  
 15 Without having to change the pitch angle of the awning itself, you  
 16 can extend the shadeplus to provide just the right amount of shade.  
 17 The shadeplus fabric cover is weighted with a bottom profile. With  
 this perfect sun protection which provides privacy at the same time,  
 you can create a secure and protected little area outdoors. During  
 the day it excludes the sun and in the evening it keeps the cool air at bay. In contrast to awnings which only give “more shade” by  
 being tilted at a greater angle, those fitted with the markilux shadeplus still provide a maximum of headroom – so giving the  
 immediate impression of realising “more space”.



**Shadeplus drop**



The Shadeplus drop H is measured from the bottom edge of the front profile to the bottom edge of the shadeplus bottom profile. Due to tolerances in fabric thickness, the actual drop may be shorter than the nominal drop by up to 5 cm. Retract your shadeplus fabric cover immediately if it becomes windy because it is not very stable in windy conditions.

Detailed explanations of the maximum drop, types of operation and shadeplus covers can be found in the corresponding chapter of the selected awning model.

**N.B!**

- For safety reasons the shadeplus must be retracted before the awning is operated.
- Only available in plain seamless fabrics (oversized, fabric width > 120 cm) or in plains with a horizontal joint (fabric width 120 cm).

**How a shadeplus cover is manufactured**

A shadeplus (the markilux invention otherwise known as a drop valance or vario valance) is ideally manufactured with a seamless cover or with horizontally joined fabric panels (the cover has a horizontal seam or bonded joint) to guarantee the best possible appearance.

- covers made from sunvas oversized material or transolair series 338..
- covers with a horizontal seam are made using plain fabric patterns from the sunsilk, sunvas, sunbow und transolair series 339.. as well as from Soltis Perform 92

# markilux infrared heater



Always state the type of fixture required when ordering

### Special features

- soft start function with reduced initial current surge
- cooling fins on the back prevent excessive heating of the mounting surface
- brackets for wall and top fixture, as well as fixture to markilux awnings, see "Fixture and accessories for markilux infrared heaters, LED Spotline and E-box"
- the asymmetrical reflector gives optimum heat distribution
- infrared halogen lamp with "Ultra Low Glare" heating tube technology and pleasant colour temperature
- minimum installation height 1.8 m

### Standard configuration

- all infrared heaters include a 1,8 m power supply cable and a Hirschmann coupling plug
- 2 brackets are required for all fixture methods, except the bracket range for the markilux syncra 72083. and 72084., where only 1 bracket is required

markilux heaters offer the benefit of cosy infrared warmth – making your stay outside a pleasant one. While producing a minimum of glare, they turn the energy used into a maximum of warmth. Infrared heaters are perfect leisure time companions for garden, terrace, balcony and under awnings. They are efficient, conserve energy and create a warm atmosphere at the touch of a button.

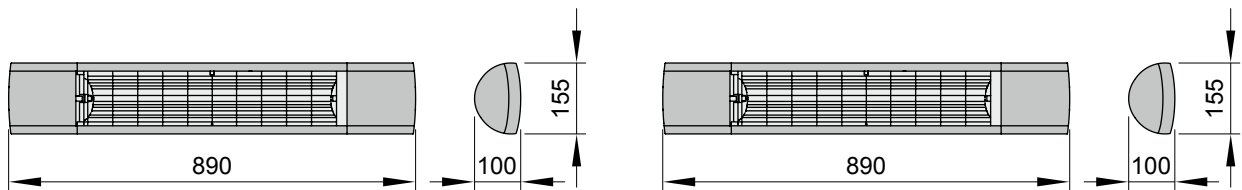
### Overview of dimensions

Infrared heater 2500 Watt without radio-controlled operation

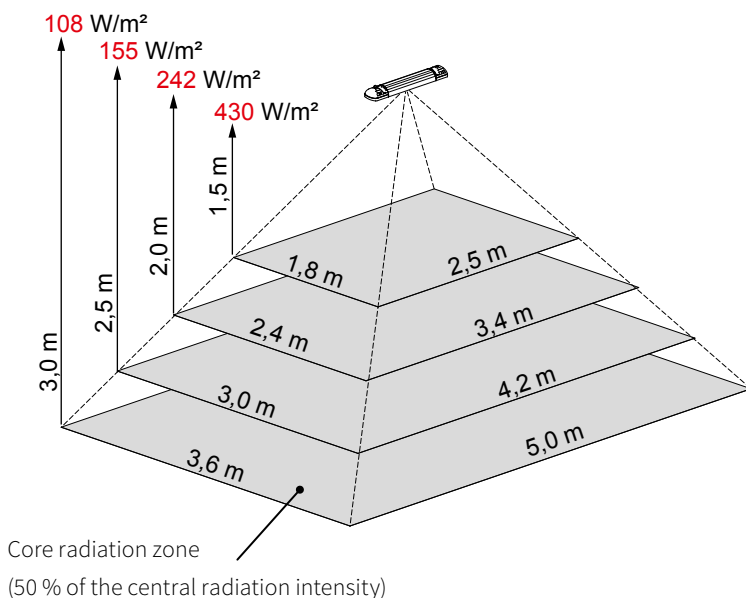
Order no. 76977

Infrared heater 2500 W, can be dimmed in 3 stages, with integrated radio receiver 868 MHz io

Order no. 76978



### Maximum infrared radiation intensity Infrared heater 2500 Watt



01 **markilux infrared heater**

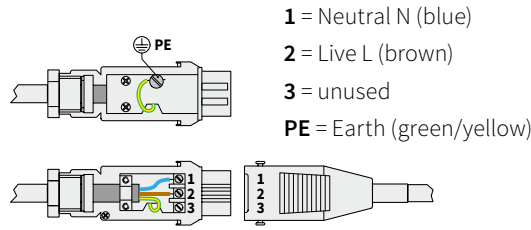
02 **Technical specification**

power supply	230 V, 50 Hz, 16 A slow-burn fuse
wiring cross section	H05SS-F3G 3 × 1,5 mm <sup>2</sup>
power output (per heater)	2500 Watt
length × depth × height	890 × 100 × 155 mm

**Frame colours**

	standard	optional
traffic white, RAL 9016	✓	—
metallic aluminium, RAL 9006	✓	—
grey brown, similar to RAL 8019	✓	—
off-white textured finish 5233 <sup>1)</sup>	✓	—
stone grey metallic 5215 <sup>1)</sup>	✓	—
anthracite metallic 5204 <sup>1)</sup>	✓	—
havana brown textured finish, 5229 <sup>1)</sup>	✓	—
non-standard colours	—	✓

03 **Power supply connection** Hirschmann coupling plug



**1) Textured finish**

Bespoke frame colours incur a surcharge – matt, metallic, finely textured and pearl finishes as well as other colour ranges (DB, Tiger etc.) on request. All frame colours are available at a surcharge with enhanced corrosion protection. Colours may differ slightly from those depicted in both hue and finish.

11 **Optional Accessories**

12 **Infrared heater 2500 Watt**



13 External RTS radio receiver with dimming function (3-stage) in 433 MHz technology, without hand-held remote control  
Order no. 8272227



14  
15  
16  
17 **RTS hand-held radio remote control in 433 MHz technology  
Order no. 8272336 (1-channel) or 8272337 (5-channel)**

**Infrared heater 2500 W, can be dimmed in 3 stages, with integrated radio receiver io 868 MHz**



Hand-held radio remote control markilux io -1 designcontrol (1-channel) in 868 MHz technology  
Order no. 8272087



Hand-held radio remote control markilux io-5 designcontrol (5-channel) in 868 MHz technology  
Order no. 8272099

# markilux floor-mounted infrared heater 1400 Watt



### Special features

- soft start function with reduced initial current surge
- operation via push-button control
- acoustic operating signal
- programmable timer function 30 / 60 / 90 min
- safety power-off if the device tilts
- iP24 protection class
- infrared halogen lamp with "Ultra Low Glare" heating tube technology and pleasant colour temperature
- stand-alone unit that can be moved and placed on an even surface
- for outdoor use

### Standard configuration

- heater including ≈ 2.4 m power supply cable with earthed, two-pin plug
- 230 V AC / 50 Hz power supply, 16 A

### Infrared heater 1400 Watt without radio-controlled operation

Order no. 77649

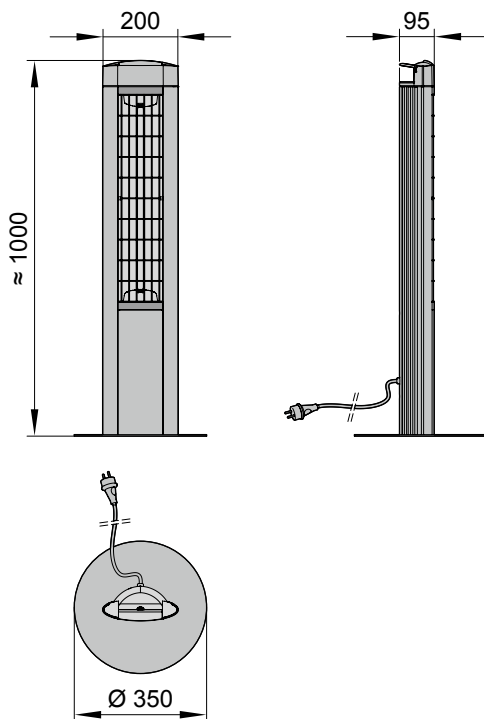
Frame colours	standard	optional
traffic white, RAL 9016	✓	—
metallic aluminium, RAL 9006	✓	—
grey brown, similar to RAL 8019	✓	—
off-white textured finish 5233 <sup>1)</sup>	✓	—
stone grey metallic 5215 <sup>1)</sup>	✓	—
anthracite metallic 5204 <sup>1)</sup>	✓	—
havana brown textured finish, 5229 <sup>1)</sup>	✓	—

1) Textured finish

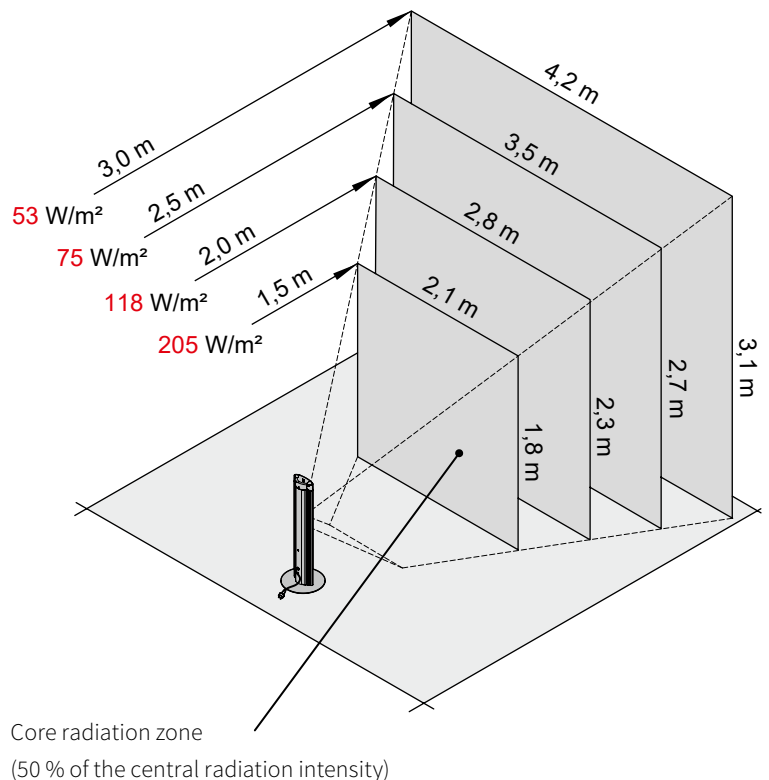
markilux heaters offer the benefit of cosy infrared warmth – making your stay outside a pleasant one. While producing a minimum of glare, they turn the energy used into a maximum of warmth.

The heaters are the perfect leisure time companion: on patio, balcony or in the garden. They are efficient, conserve energy and create a warm atmosphere at the touch of a button.

### Overview of dimensions



### Maximum infrared radiation intensity



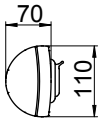
dimensions in mm

01 **markilux LED Spotline**



05 Always state the type of fixture required when ordering

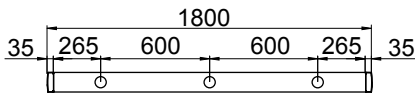
06 **Overview of dimensions**



07 **3 LED-Spots**

08 2 brackets

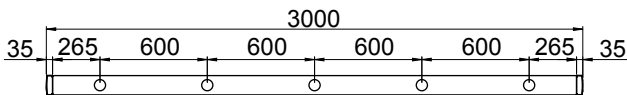
09 Order no. 71865. without radio receiver  
10 71868. in io radio technology



11 **5 LED-Spots**

12 3 brackets

13 Order no. 71866. without radio receiver  
14 71869. in io radio technology



17

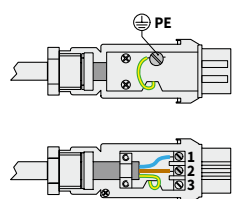
**Technical specification**

power supply	230 V, 50 Hz
wiring cross section	3 × 1,0 mm <sup>2</sup>
power output (per LED-spot)	5 Watt
energy efficiency class	A
light intensity range	0–100 %
colour temperature	3200 Kelvin

**Technical data of the hand-held remote control**

transmission frequency	868 MHz
battery	CR 2430, 3 Volt

**Power supply** connection Hirschmann coupling plug



- 1 = Neutral N (blue)
- 2 = Live L (brown)
- 3 = unused
- PE = Earth (green/yellow)

**Special features**

- with pivoting LED Spots in a powder-coated aluminium housing
- simple, variable fixture to the wall or ceiling using T brackets or optionally via additional brackets to the awning, see “Fixtures and accessories for markilux infrared heaters, LED Spotline and E-box”
- radio receiver and a hand-held radio remote control markilux io (optional) provide convenient operation at the push of a button. The hand-held remote control can be used to dim the brightness
- LED lamp life approximately 20.000 hours

**Optional Accessories io**



Hand-held radio remote control markilux io -1 designcontrol (1-channel) in 868 MHz technology  
Order no. 8272087



Hand-held radio remote control markilux io-5 designcontrol (5-channel) in 868 MHz technology  
Order no. 8272099

**Optional Accessories RTS**



RTS hand-held radio remote control in 433 MHz-technology  
Order no. 8272336 (1-channel)



RTS hand-held radio remote control in 433 MHz-technology  
Order no. 8272337 (5-channel)



External RTS radio receiver for light on / off: lighting module with 433 MHz technology, without hand-held transmitter  
Order no. 8272106

**Frame colours**

	standard	optional
traffic white, RAL 9016	✓	—
metallic aluminium, RAL 9006	✓	—
grey brown, similar to RAL 8019	✓	—
off-white textured finish 5233 <sup>1)</sup>	✓	—
stone grey metallic 5215 <sup>1)</sup>	✓	—
anthracite metallic 5204 <sup>1)</sup>	✓	—
havana brown textured finish, 5229 <sup>1)</sup>	✓	—
non-standard colours	—	✓

**1) Textured finish**

Bespoke frame colours incur a surcharge – matt, metallic, finely textured and pearl finishes as well as other colour ranges (DB, Tiger etc.) on request. All frame colours are available at a surcharge with enhanced corrosion protection. Colours may differ slightly from those depicted in both hue and finish.

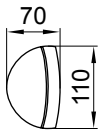
dimensions in mm

# markilux E-box

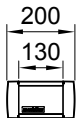


Always state the type of fixture required when ordering

## Overview of dimensions

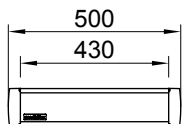


### E-box K



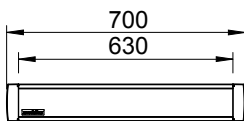
Order no. 71849  
1 bracket

### E-box M



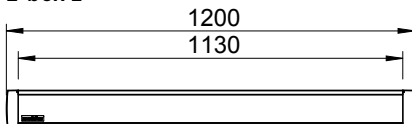
Order no. 71850  
2 brackets

### E-box G



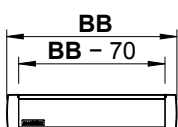
Order no. 71873  
2 brackets

### E-box L



Order no. 71874  
2 brackets

### E-box I



Order no. 71851.  
up to 2010 mm 2 brackets  
up to 2010 mm 3 brackets  
up to 4010 mm 4 brackets  
up to 6010 mm 5 brackets

## Special features

Ensures safe and easy electrical installation. Electrical equipment such as coupling plugs can be installed in a visually attractive way using the markilux E-box. Simple, variable fixture to the wall or soffit using T brackets or optionally via additional brackets to the awning, see "Fixtures and accessories for markilux infrared heaters, LED Spotline and E-box".

The E-box is available in five models:

- **E-box K**  
can accommodate a single Hirschmann coupling plug. Width = 200 mm.
- **E-box M**  
can accommodate a coupling plug with external receiver or for the installation of awnings with lighting and an additional connection for a shadeplus. Width = 500 mm.
- **E-box G**  
can accommodate coupling plugs and accessories for the markilux pergola 779 / 779 tracfix and 879 / 879 tracfix. Width = 700 mm.
- **E-box L**  
can accommodate coupling plugs and accessories for the markilux 779 / 779 tracfix. Width = 1200 mm.
- **E-box I**  
in a bespoke width to order.

Order no.	Frame colours	standard	optional
71849	1 bracket		
	traffic white, RAL 9016	✓	—
	metallic aluminium, RAL 9006	✓	—
	grey brown, similar to RAL 8019	✓	—
	off-white textured finish 5233 <sup>1)</sup>	✓	—
71850	2 brackets		
	stone grey metallic 5215 <sup>1)</sup>	✓	—
	anthracite metallic 5204 <sup>1)</sup>	✓	—
	havana brown textured finish, 5229 <sup>1)</sup>	✓	—
	non-standard colours	—	✓

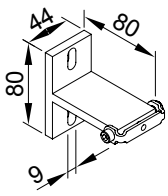
### 1) Textured finish

Bespoke frame colours incur a surcharge – matt, metallic, finely textured and pearl finishes as well as other colour ranges (DB, Tiger etc.) on request. All frame colours are available at a surcharge with enhanced corrosion protection. Colours may differ slightly from those depicted in both hue and finish.

01  
02  
03  
04  
05  
06  
07  
08  
09  
10  
11  
12  
13  
14  
15  
16

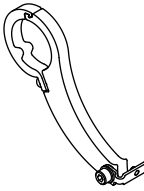
01 **Fixtures, fittings and accessories**

02 for the markilux infrared heater, LED Spotline, spotline halogen and E-box

03  T bracket  
for fixture to both wall  
and ceiling

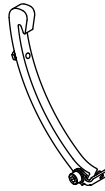
04

05 **71284.**

03  fixture to a round torque  
bar, Ø 50 mm  
incl. clamp plate

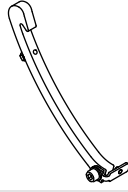
04

05 **76972.**

03  cassette bracket

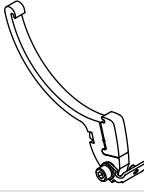
04 markilux 5010

05 **76974.**

06  cassette bracket


07 markilux 6000

08 **76975.**

06  cassette bracket


07 markilux pergola classic

08 **76973.**

06  cross-beam bracket  
for 1 infrared heaters,  
LED-Spotline

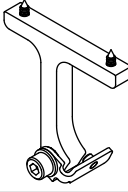
07 markilux syncra

08 **72083.**

09  cross-beam bracket  
for 2 infrared heaters,  
LED-Spotline

10 markilux syncra

11 **72084.**

09  cassette bracket

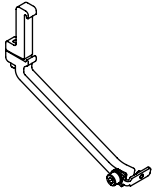
10 markilux MX-2  
markilux 970

11 **71592.**

09  cassette bracket

10 markilux MX-3

11 **75802.**

12  cassette bracket

13 markilux pergola cubic

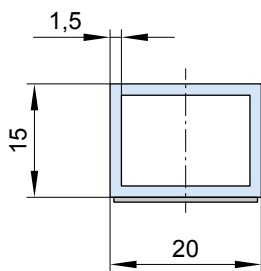
14 **60585.**

17

**N.B!** A valance or fabric cover may never be positioned in front of an infrared heater. Fire hazard!

**Cable conduit**

Cable conduit as rectangular tube for widespread application



dimensions in mm

Aluminium profile, powder coated

Available in

traffic grey B RAL 7043 or

traffic white, RAL 9016

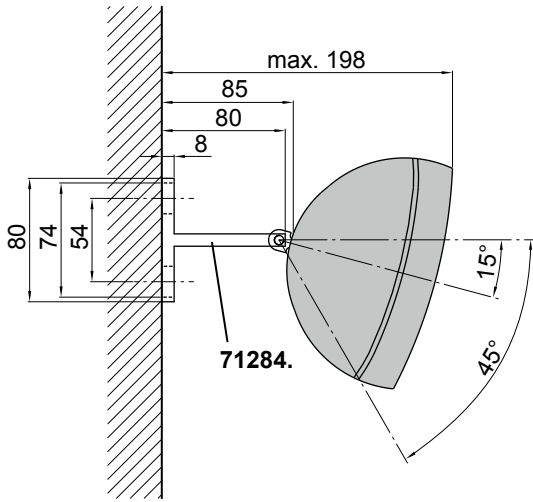
Maximum length 6000 mm

**Order no. V71415**

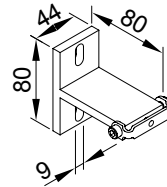
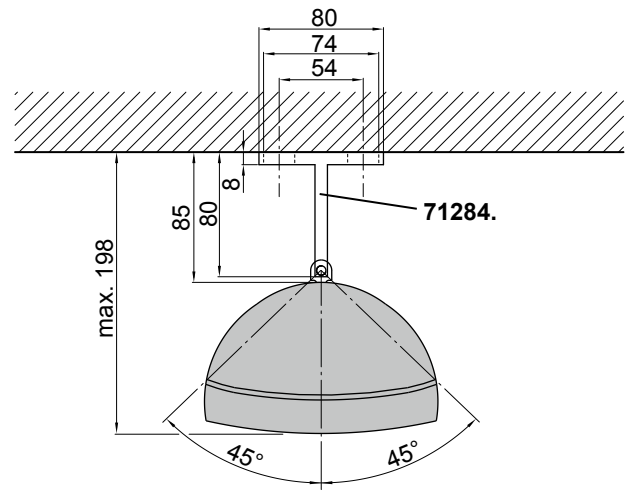
# Fixture types

Using the markilux infrared heater by way of example

Face fixture



Top fixture



01  
02  
03  
04  
05  
06  
07  
08  
09  
10  
11  
12  
13  
14  
15  
16

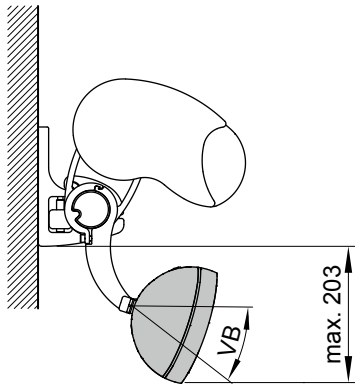
17

dimensions in mm

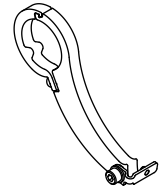
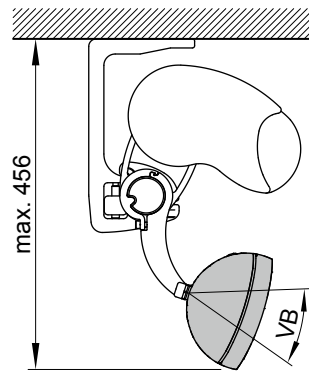
# 01 Fixture underneath markilux folding-arm awnings

## 02 markilux 1600

### 03 Face fixture

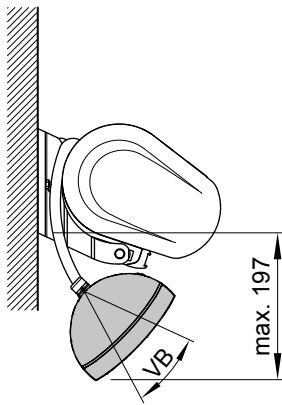


### Top fixture

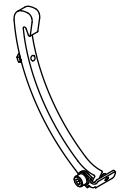
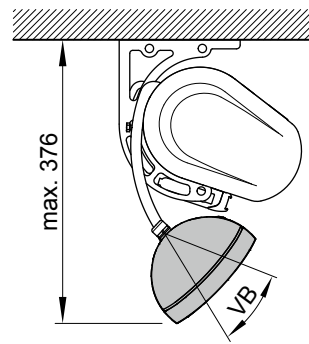


## 10 markilux 5010

### 11 Face fixture



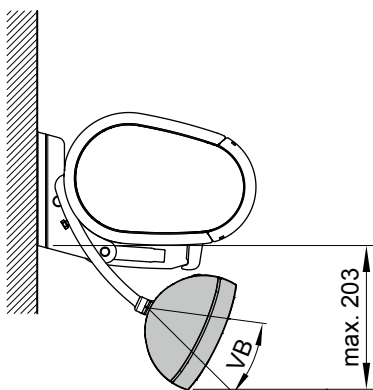
### Top fixture



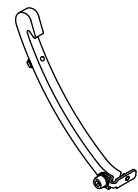
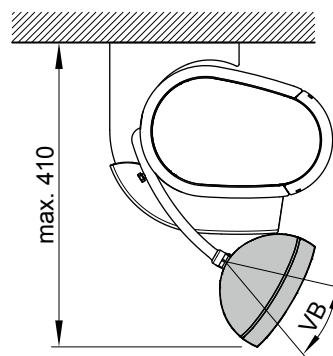
## 17

## markilux 6000

### Face fixture



### Top fixture



VB = adjustment range

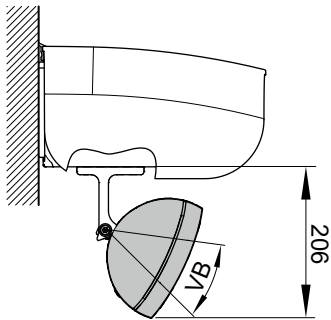
dimensions in mm

# Fixture underneath markilux folding-arm awnings

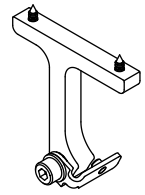
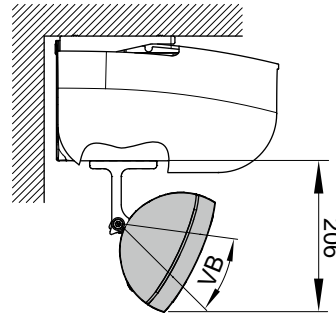
- 01
- 02
- 03
- 04
- 05
- 06
- 07
- 08
- 09
- 10
- 11
- 12
- 13
- 14
- 15
- 16

## markilux MX-2

Face fixture

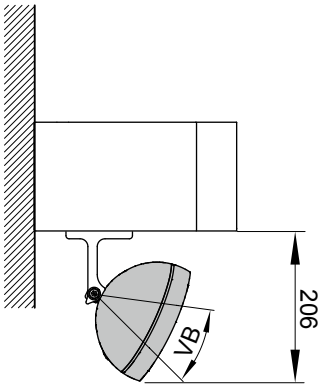


Top fixture

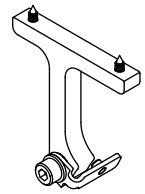
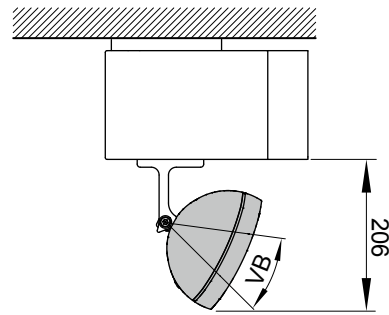


## markilux 970

Face fixture

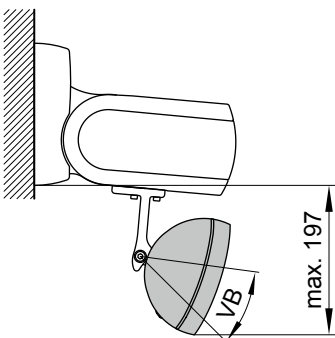


Top fixture

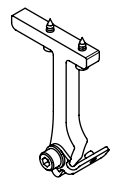
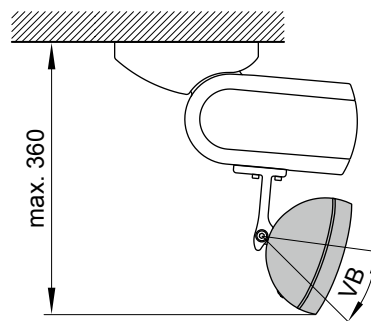


## markilux MX-3

Face fixture



Top fixture



**17**

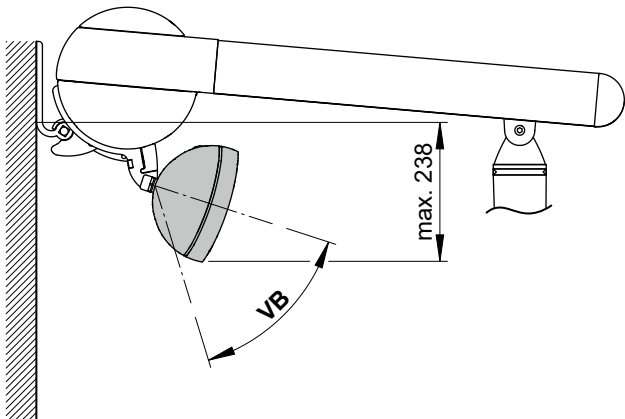
VB = adjustment range

dimensions in mm

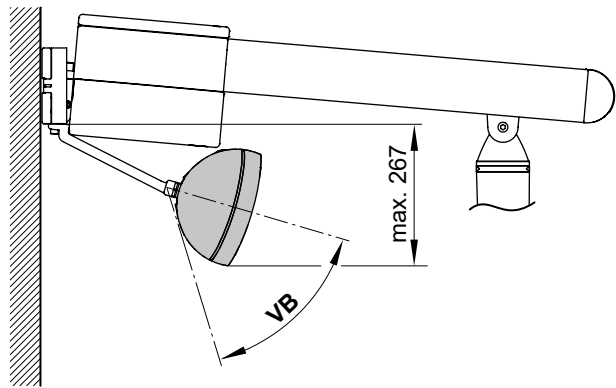
01 **Fixture underneath markilux awning systems**

02

markilux pergola classic

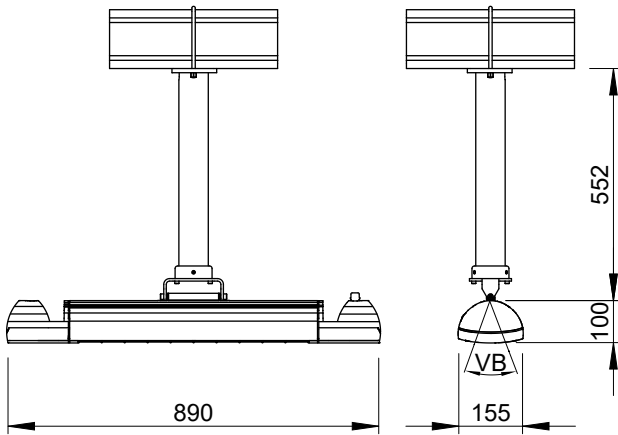


markilux pergola cubic



03

04 markilux syncra - 1 infrared heater



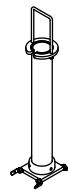
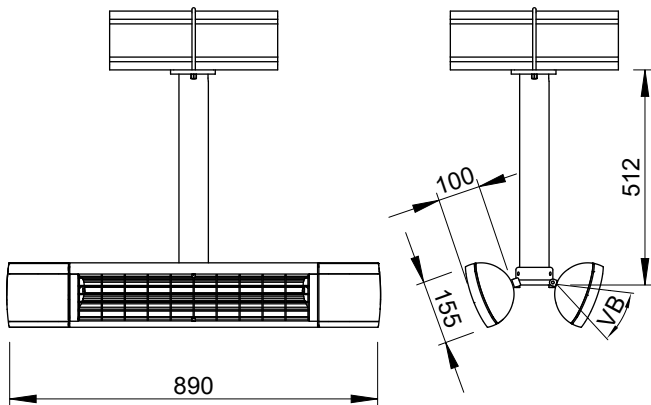
N.B!

The brackets for the markilux LED spotlight vary in number:

- 2 brackets for 3 spots
- 3 brackets for 5 spots.

17

markilux syncra - 2 infrared heaters



N.B!

The brackets for the markilux LED spotlight vary in number:

- 2 brackets for 3 spots
- 3 brackets for 5 spots.

VB = adjustment range

dimensions in mm

## markilux silentec

Innovative and quiet



Add even more comfort to the markilux MX-1 compact, 6000, 5010 and 3300. Thanks to the installation of the special motor with acoustic insulation, the noise produced by the awning's motor is much less than that of a standard, hard-wired or radio control motor. The markilux silentec motor can also be operated via radio control (optional) with an additional external radio receiver RTS plug (order no. 8272148). For the io-technology you can choose the external Somfy Slim Plug io (order no. 8271254).

Only single awnings with two folding arms (please refer to the matrix for the appropriate awning model) can be fitted with this motor technology.

For other specification limitations and possibilities such as "Dimensions and configuration options" please consult the section pertaining to the appropriate markilux model.

The markilux silentec motor cannot be retro-fitted to existing awnings.

01  
02  
03  
04  
05  
06  
07  
08  
09  
10  
11  
12  
13  
14  
15  
16

**17**

01 **io Radio Controls**

02 Radio remote controls and radio receivers



**Programming instructions for equipment using io radio control technology 868 MHz**

These can be downloaded from the specialist dealer area in digital format under the document type “What to do if ...?” at markilux.com.

Order no. 7061511



**Hand-held radio remote control markilux io-1 designcontrol (1 channel)**

The beautifully designed 1-channel hand-held radio transmitter io- 1 for convenient operation of an awning, an infrared heater or lighting in 868 MHz radio technology. Features an additional “save” function to program your favourite position or setting.

Order no. 8272087



**Hand-held radio remote control markilux io-5 designcontrol (5 channel)**

Universal hand-held radio transmitter with integrated Auto/Manu function for all channels. Lighting and heating radio receivers with dimming function can be conveniently controlled using the scroll wheel. Features an additional “save” function to program your favourite position or setting.

Order no. 8272099

17



**Radio remote control wall switch Smoove io Pure Shine (1 channel)**

The touch-sensitive radio remote control wall switch Smoove io Pure Shine (1-channel) for the purely manual control of an awning. Equipped with an additional “my” function to save your favourite awning position.

Order no. 8272189



**Radio remote control wall switch Smoove io Pure Shine (1 channel)**

The touch-sensitive remote control wall switch Smoove Pure Shine (1-channel) offers simple control of the awning. Equipped with an additional “my” function to save your favourite awning position. The sliding switch makes it easy to remove an awning from the central control system (group) and manually operate it using the up, down and stop buttons.

Order no. 8272190

## io Radio Controls

### Radio remote controls and radio receivers



#### Radio remote control wall switch Smoove Uno A/M io Pure Shine (1 channel)

The touch-sensitive radio remote control wall switch Smoove Uno A/M io Pure Shine (1-channel) for plain and simple control of an awning with hard-wired motor. This control unit is intended for retrofitting to hard-wired motors. Equipped with an additional “my” function to save your favourite awning position. The sliding switch makes it easy to remove an awning from the central control system (group) and manually operate it using the up, down and stop buttons.

Order no. 8271178



#### Awning radio receiver - Slim Plug io

With this radio receiver, hard-wired motors can be controlled using io radio technology (can also be used in 2-way-directional control systems such as the Connexoon or TaHoma.)

Order no. 8271254



#### Radio lighting receiver - Lighting Receiver Variation io

Enables lighting to be switched on and off and dimmed. It can also be used in conjunction with 2-way-control systems such as the Connexoon or TaHoma, which will indicate the brightness level in symbol form on the display.

Order no. 8272242

01  
02  
03  
04  
05  
06  
07  
08  
09  
10  
11  
12  
13  
14  
15  
16

17

01 **io Radio Controls**

02 **Convenient app control of io products with TaHoma Switch**



Control of patio products and awnings via secure access by smartphone or tablet (iOS, Android), even when you are away from home – io homecontrol, RTS, Zigbee.

- max. 200 io / 50 RTS / 45 Zigbee 3.0 receivers can be stored, individual and group control possible
- connection with io wind and light sensors
- easy creation of scenarios and personal favourites – can be activated manually, or depending on the time or sensor
- manual activation of 2 scenarios using special buttons on the box
- display of the current position or state of the io products and Zigbee 3.0 lights
- WLAN-capable, flexible positioning
- operation of io-controlled patio lighting on / off / dimmable
- compatible with Philips HUE lighting systems (on / off / dimmer)
- easy, fast and intuitive installation incl. step-by-step instructions with the TaHoma Pro app



**Somfy control box TaHoma Switch**

Order no. 8272377

13 **Accessories for the TaHoma Switch**



**markilux vibrabox Eolis 3D WireFree io**

The markilux Vibrabox Eolis 3D WireFree io is a sensor which measures the dynamic wind load and reacts to vibration in the awning. It is fitted either on the inside or outside of the front profile (depending on the awning model) without the bother of having to wire it in. The wind threshold value is set on the sensor itself. Battery operated, so there is no need for a mains power supply.

Order no. 8272367 traffic white (RAL 9016)

Order no. 8272366 traffic grey B (RAL 7043)



**Radio light sensor – Sunis WireFree II io**

Battery-operated, radio control light sensor for awnings with radio-controlled io motors without having to be wired into the mains, which allows versatile positioning on the wall. The Sunis WireFree II io is used with uni-directional io radio remote controls or bi-directional io radio remote controls with status response, such as the TaHoma box.

Order no. 8272086

## io Radio Controls

Convenient app control of io products with TaHoma Switch



### Radio light sensor – Sunis WireFree II io

Battery-operated, radio control light sensor for awnings with radio-controlled io motors without having to be wired into the mains, which allows versatile positioning on the wall. The Sunis WireFree II io is used with uni-directional io radio remote controls or bi-directional io radio remote controls with status response, such as the TaHoma box.

Order no. 8272086



### Radio control wind sensor Eolis WireFree io

The battery-powered radio control wind sensor Eolis Wirefree io can be fitted directly to the wall without having to be wired into the mains power supply. The wind threshold value is set on the sensor itself.

Order no. 8272193



### markilux vibrabox Eolis 3D WireFree io

The markilux Vibrabox Eolis 3D WireFree io is a sensor which measures the dynamic wind load and reacts to vibration in the awning. It is fitted either on the inside or outside of the front profile (depending on the awning model) without the bother of having to wire it in. The wind threshold value is set on the sensor itself. Battery operated, so there is no need for a mains power supply.

Order no. 8272367 traffic white (RAL 9016)

Order no. 8272366 traffic grey B (RAL 7043)



### Radio control wind sensor Eolis io 230 V with connection for a rain sensor

Contingent on the ambient wind conditions, a blind or awning will be retracted automatically. The wind threshold value is simply preset on the device. In combination with a suitable rain sensor, (order no. 8272065) the blind or awning will also be retracted if it starts to rain. The Eolis io 230 V uses radio waves to send signals to the motor. Therefore no cabling is required between the sensor and the motor.

Order no. 8272328



### Rain sensor – Ondeis 230 V AC

To be used in combination with wireless light and wind sensors with a connection for a rain sensor

- fast and precise sensor reaction as a result of more accurate measurement of precipitation
- integrated, self-regulating heater function
- quick and problem-free installation
- simple installation, delivery includes sensor and power supply cable (power cables are white, 2 strand and UV resistant)

The rain sensor should be connected to a pre-installed light / wind sensor Soliris Uno or Soliris IB

Order no. 8272065

01  
02  
03  
04  
05  
06  
07  
08  
09  
10  
11  
12  
13  
14  
15  
16

17

01 **RTS Radio Controls**

02 Radio remote controls and radio receivers



**Programming instructions for equipment using RTS radio technology 433 MHz**

These can be downloaded from the specialist dealer area in digital format under the document type “What to do if ...?” at markilux.com.

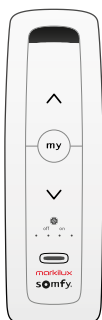
Order no. 7061444



**Hand-held radio remote control 1-channel Situo 1 RTS Pure (markilux)**

The markilux hand-held radio remote control ( 1-channel) allows you to operate your awning comfortably at the touch of a button. The awning can be controlled using the up/down and stop buttons. The attractive shape and ergonomic design characterise this elegant and easily operated hand-held remote control.

Order no. 8272336



**Hand-held radio remote control 5-channel Situo 5 RTS Pure (markilux)**

The markilux hand-held radio remote control ( 5-channel) allows you to operate your awning, the sun/wind sensor function as well as the dimmer on awnings with integrated lighting systems comfortably at the touch of a button. One or more awnings can be controlled using the up/down and stop buttons. The individual channels, or all channels, can be controlled simultaneously using the channel selection button.

Order no. 8272337

17



**Radio remote control wall switch – Smoove Pure Shine RTS (1 channel)**

The touch-sensitive remote control wall switch Smoove Pure Shine (1-channel) offers simple control of the awning. Equipped with an additional “my” function to save your favourite awning position. Push button operation, including frame.

Order no. 8272235



**External radio receiver – Universal Slim Receiver RTS Plug, with in-line (Hirschmann) plug connections**

The easy way to automate an awning with a hard-wired motor or provide an automatic radio-controlled option (light, wind, rain sensor) at a later date. Quick and easy installation between the motor and the power supply cable (via Hirschmann coupling plug connections). The following is then possible:

- individual operation, i.e. a single radio remote control operates a single radio receiver
- group operation, i.e. a single radio remote control operates more than one radio receiver
- multiple operation, i.e. more than one radio remote control operate a single radio receiver

Order no. 8272148

## RTS Radio Controls

### Radio remote controls and radio receivers



#### External radio receiver – Heating Mod/Var Receiver RTS for 2500 W infrared heaters

The dimmable, external radio receiver for 2500 Watt infrared heaters. The power to the connected infrared heater can be dimmed in three stages: 33 %, 66 % and 100 %.

Order no. 8272227



#### Radio control light and wind sensor – Soliris Sensor RTS, for radio-controlled motors

Depending on the prevailing conditions with regard to the wind and sun, a markilux awning will be automatically extended or retracted. The wind speed and lux values required to trigger this are set directly on the sensor. The Soliris Sensor RTS transmits the signals by radio wave. Therefore no cabling is required between the sensor and the motor. The automatic light sensor function can be manually activated or deactivated via radio remote control.

Order no. 8272089



#### Radio control light and wind sensor Soliris Sensor RTS with rain sensor connection

Depending on the prevailing conditions with regard to the wind and sun, a markilux awning will be automatically extended or retracted. The wind speed and lux values required to trigger this are set directly on the sensor. In combination with a suitable rain sensor, (order no. 8272065) the blind or awning will also be retracted if it starts to rain. The Soliris Sensor RTS transmits the signals by radio wave. Therefore no cabling is required between the sensor and the motor. The automatic light sensor function can be manually activated or deactivated via radio remote control.

Order no. 8272127

01  
02  
03  
04  
05  
06  
07  
08  
09  
10  
11  
12  
13  
14  
15  
16

**17** ■

## RTS Radio Controls

### RTS Radio Technology Somfy



#### Rain sensor – Ondeis 230 V AC

To be used in combination with wireless light and wind sensors with a connection for a rain sensor

- fast and precise sensor reaction as a result of more accurate measurement of precipitation
- integrated, self-regulating heater function
- quick and problem-free installation
- simple installation, delivery includes sensor and power supply cable (power cables are white, 2 strand and UV resistant)

The rain sensor should be connected to a pre-installed light / wind sensor Soliris Uno or Soliris IB

Order no. 8272065



#### Wireless wind sensor – Eolis Sensor RTS

Keeps a constant eye on the wind speed: as soon as the individually pre-set threshold value is exceeded, the sensor retracts the awning. Radio-controlled operation makes wiring to the operating location and the motor drive unnecessary. Only a 230 V power supply cable is required.

Order no. 8272090



#### Radio light sensor – Sunis WireFree RTS

Solar cell-powered light sensor – which can be fitted anywhere on the façade. Intended for awnings with 433 MHz RTS radio-controlled motors, it does not need to be wired into the mains. Built-in solar cells supply the unit with power. Up to three light sensors can be linked to any one radio-controlled motor. But one Sunis light sensor can also operate a number of radio-controlled motors.

Order no. 8272141



#### markilux Vibrabox RTS

The markilux Vibrabox sensor for dynamic wind loads is sensitive to vibration and protects your awning against damage that could be caused by high winds. It is fitted either on the inside or outside of the front profile (depending on the awning model) without the bother of having to wire it in. Vibration in the front profile, caused by wind, is identified by the sensor which passes a signal to the drive unit, causing the awning to retract. Different levels of sensitivity can be set. Battery powered so no power supply cable is required. Battery operated, so there is no need for a mains power supply.

Order no. 8272365 traffic white (RAL 9016)

Order no. 8272364 traffic grey B (RAL 7043)

## Automatic Controls, Switches and Accessories for Hard-wired Motors

Miscellaneous electrical accessories



### Somfy universal motor programming and limit setting switch

For programming and setting the limit positions of 230 V motors, for radio-controlled or hard-wired WT motors and also for Becker and Elero motors.

Order no. 8271084



### Protective box for a (Hirschmann) coupling plug

Protective box to safely tidy away the coupling plug near the awning.

Dimensions approx. 45 × 35 × 175 mm (width × height × length)

Order no. 8271044 white

Order no. 8271043 black

Order no. Bestellnummer 8271045 light grey



### Dehn voltage surge protector Cord R 3P 275

Voltage surge protection for solar protection systems according to DIN VDE 0100-443 and -543 with in-line (Hirschmann) plug connections.

In October 2016 it became legally binding in Germany to take measures with regard to the prevention of voltage surges in residential buildings (please check the regulations in your country or region). The supply and control cabling of your awning must therefore be wired through a Dehn surge protection unit before it joins the interior wiring circuits, in order to prevent damage as a result of eventual voltage surges. Maximum amperage 10 A (max. ~2300 W)

Order no. 8271252

## Motor control equipment



### Smoove Uno IB+ Pure motor control unit (small object control)

For simple group control of awnings when several awnings are to be extended and retracted simultaneously. One Smoove Uno IB+ Pure motor control unit is required for each awning drive to be controlled. Simply use the auto/manual button to remove the awning from central (group) control. The my button is used to move the awning to a predefined intermediate position or to stop an executed command. Warning signals (e.g. Awning blocked because of wind alarm) are shown via LED, delivery includes frame.

Order no. 8272371



### Cut-off Relay TR4-AP-230

Enables safe parallel switching of up to 4 awnings. If several awnings are connected in parallel without a cut-off relay, reverse current flow can occur when the awnings are being extended and retracted, which may lead to malfunction and damage to the motors.

Surface fixture, for the simultaneous control of up to 4 motor drives with mechanical or electronic limit switching.

Order no. 8272187

## Automatic Controls, Switches and Accessories for Hard-wired Motors

### Sensors



#### Light/wind sensor Soliris Smoove Uno Pure White Kit incl. light/wind sensor + frame

Depending on the prevailing conditions with regard to the wind and sun, a markilux awning will be automatically extended or retracted. The wind and light threshold values required to trigger this reaction are set directly on the sensor. If so desired, the light sensor function can easily be deactivated at the push of a button. The awning is then controlled manually.

Delivery without surface-mounted cap.

Order no. 8272370



#### Light/wind sensor Soliris Smoove IB+ Pure White Kit incl. light/wind sensor + frame

Depending on the prevailing conditions with regard to the wind and sun, a markilux awning will be automatically extended or retracted. In addition, the integrated timer offers up to four individual times for moving the awning on a daily or weekly basis. There is convenient menu-guided operation via the backlit display. A Somfy rain sensor can be connected as an optional extra. The Soliris Smoove IB+ is designed for group control (in addition, a Smoove Uno IB+ motor control device is required for each drive). Delivery includes a frame for the control device.

Order no. 8272369



#### Rain sensor – Ondeis 230 V AC

To be used in combination with wireless light and wind sensors with a connection for a rain sensor

- fast and precise sensor reaction as a result of more accurate measurement of precipitation
- integrated, self-regulating heater function
- quick and problem-free installation
- simple installation, delivery includes sensor and power supply cable (power cables are white, 2 strand and UV resistant)

The rain sensor should be connected to a pre-installed light / wind sensor Soliris Uno or Soliris IB

Order no. 8272065

01

02

03

04

05

06

07

08

09

10

11

12

13

14

15

16

**17** ■

01

02

03

04

05

06

07

08

09

10

11

12

13

14

15

16

**17**